

- Low-loss RF SAW filter for AMPS, CDMA, and TDMA applications
- No matching network required for operation at 50Ω
- Ceramic package for Surface Mounted Technology (SMT)
- Lead-free production and RoHS compliant

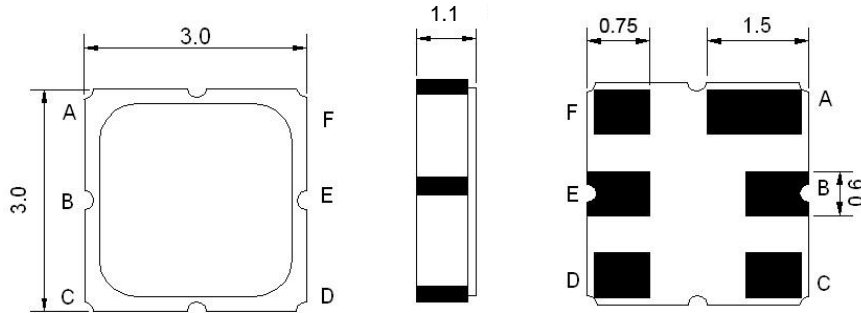


## Electrical Characteristics

MAXIMUM RATING				
PARAMETERS DESCRIPTION	UNIT	MINIMUM	TYPICAL	MAXIMUM
Operating Temperature Range	°C	-10	-	+65
Storage Temperature Range	°C	-40	-	+85
Maximum DC Voltage	V <sub>DC</sub>	-	-	12
Maximum Input Power Level	dBm	-	-	10
Source Impedance	Ω	-	50	-
Load Impedance	Ω	-	50	-
Length x Width	mm <sup>2</sup>	-	3.0 x 3.0	-
Height	mm	-	-	1.1

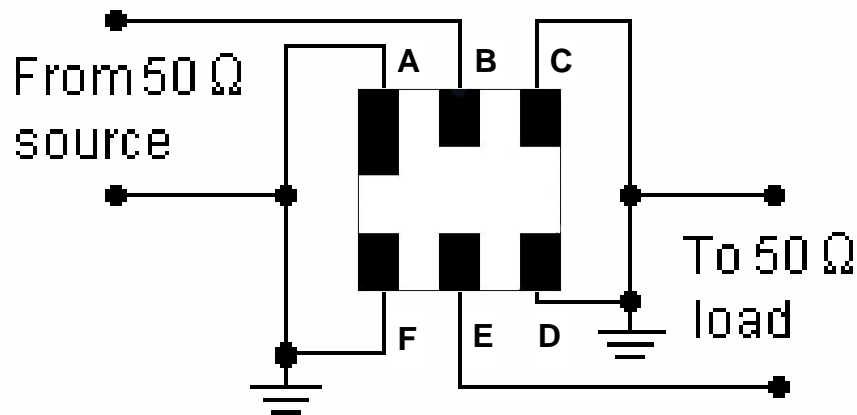
ELECTRICAL SPECIFICATION				
PARAMETERS DESCRIPTION	UNIT	MINIMUM	TYPICAL	MAXIMUM
Center Frequency (Fo)	MHz	-	881.5	-
3dB Bandwidth	MHz	-	±17.6	-
Usable Bandwidth	MHz	-	±12.5	-
Insertion Loss @ 869.00 ~ 894.00MHz	dB		2.7	3.5
Amplitude Variation (p-p) @ 869.00 ~ 894.00MHz	dB		0.8	1.5
<b>Absolute Attenuation:</b>				
10.00 ~ 779.00 MHz	dB	45	50	
779.00 ~ 849.00 MHz	dB	40	45	
914.00 ~ 970.00 MHz	dB	20	28	
970.00 ~ 1049.00 MHz	dB	45	55	
1049.00 ~ 2000.00 MHz	dB	40	50	

## Package Dimensions



Pin Description	
B	Input / Output
E	Output / Input
A, C, D, F	Case Ground

## Testing Environment



**Frequency Characteristics****Frequency Response**